

Gefen

DVI 1500 Extender

EXT-DVI-1500HD

User Manual



www.gefen.com

1080P
PROGRESSIVE

HD TV

ASKING FOR ASSISTANCE

Technical Support:

Telephone (818) 772-9100
(800) 545-6900

Fax (818) 772-9120

Technical Support Hours:

8:00 AM to 5:00 PM Monday through Friday.

Write To:

Gefen Inc.
c/o Customer Service
20600 Nordhoff Street
Chatsworth, CA 91311

www.gefen.com
support@gefen.com

Notice

Gefen Inc. reserves the right to make changes in the hardware, packaging and any accompanying documentation without prior written notice.

DVI 1500 Extender is a trademark of Gefen Inc.

TABLE OF CONTENTS

1. Introduction / Operation Notes
2. Features
3. Sender Panel Descriptions
4. Receiver Panel Descriptions
5. Connecting and Operating the DVI 1500
6. Network Cable Wiring Diagram
7. Specifications
8. Warranty

INTRODUCTION

The Gefen DVI•1500 allows a single link video signal to be extended over long distances by using multimode LC-LC fiber optic cable. Fiber Optics technology allows the DVI•1500 to carry video signals over long distances that would not be possible with traditional CAT5 extension. The use of fiber optic cabling protects the video signal from electromagnetic interference (EMI) which can degrade the video signal.

How It Works

The DVI•1500S sender unit sits next to your computer, set-top box or DVD player source. Cables supplied with the DVI•1500 connect your DVI source to the send unit. The DVI•1500R receive unit sits next to your DVI display - up to 1640 feet (330 feet with HDCP) away. The display plugs into the back of the DVI•1500R receiver unit. One CAT-5 cable and a multi mode LC fiber optic cable (4 strand) connect the DVI•1500S and the DVI•1500R units to each other.

OPERATION NOTES

READ THESE NOTES BEFORE INSTALLING OR OPERATING THE DVI 1500

- 50 or 62.5 micron multi-mode fiber optic cable is required for operation of the DVI 1500.
- Maximum extension range of 330 feet (100 meters) when the source requires HDCP. One CAT-5, CAT-5e or CAT6 cable is used to transmit DDC and HDCP data back to the source.
- Maximum range of 1640 feet (500 meters) when the source does not require HDCP. This scenario does not require the CAT-5, CAT5e or CAT-6 cable if the source does not require DDC information. If DDC is required, the use of an EDID storage device (part# EXT-DVI-EDIDN, EXT-DVI-EDIDP) can be used to transmit DDC information back to the source.
- HDCP compliant
- Compatible with all DVI and HDMI* displays.

NOTE: *When used with a HDMI to DVI adapter

FEATURES

Features

- Extends any DVI (digital visual interface) compliant device up to 1640 feet/500 meters (330 feet with HDCP) from the computer
- Uses a four-strand multimode LC-LC fiber optic cable for video signals
- Uses one CAT-5 cable for DDC and control signals
- Eliminates computer noise where you work
- Supports resolutions up to 1080p, 2K, and 1920 x 1200
- Supports DDWG standard for DVI compliant monitors
- HDCP compliant

Includes:

- (1) DVI 1500S Sender unit
- (1) DVI 1500R Receiver unit
- (2) 5V DC Power Supply
- (1) 6 ft HDMI cable (M-M)
- (1) User's Manual

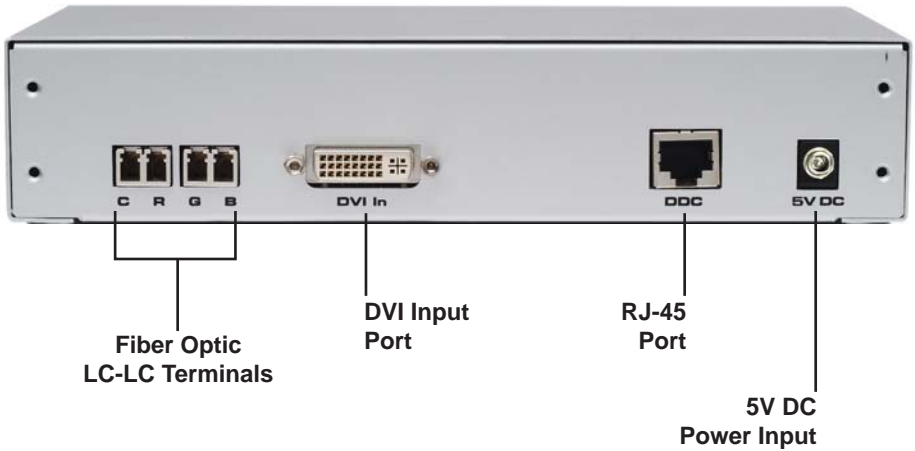


SENDER PANEL DESCRIPTIONS

Front Panel

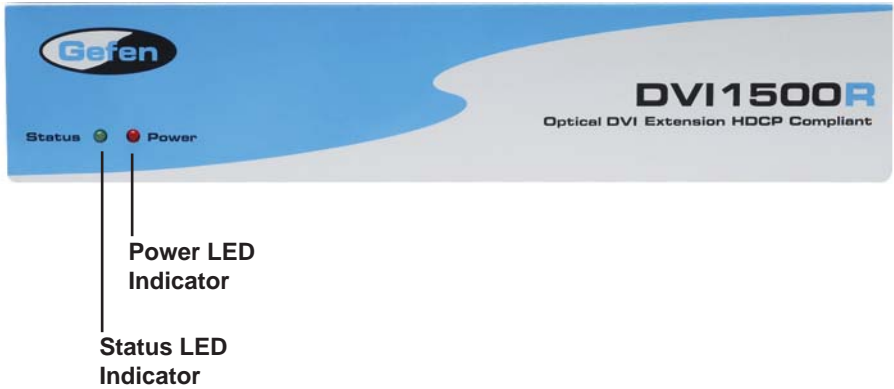


Back Panel

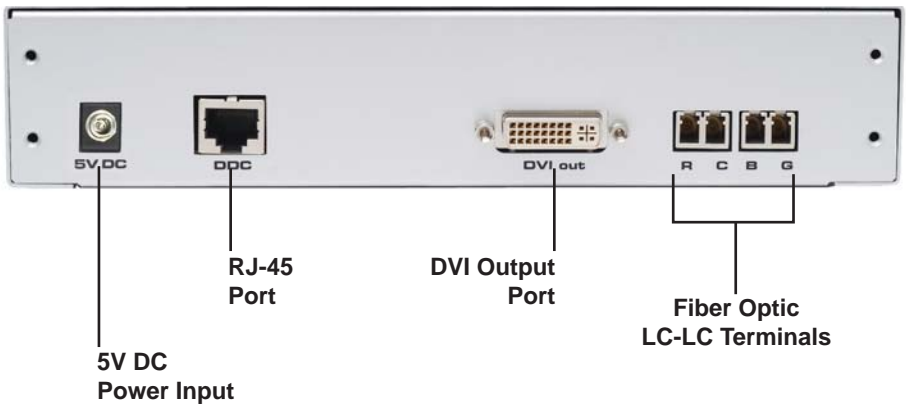


RECEIVER PANEL DESCRIPTIONS

Front Panel



Back Panel



CONNECTING AND OPERATING THE DVI 1500

How To Connect The DVI 1500

1. Connect the DVI source to the DVI 1500 sender unit using the supplied DVI cable.
2. Connect a user supplied CAT-5, CAT-5e or CAT-6 cable to the sender unit.
3. Connect four user supplied multi-mode LC terminated fiber optic cables into DVI 1500 sender unit.

NOTE: 50 or 62.5 micron multi-mode fiber optic cable is required for operation of the DVI 1500.

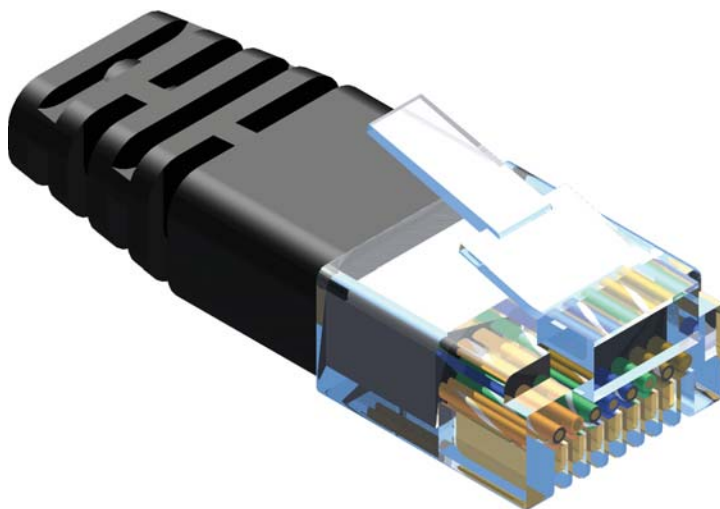
4. Connect the other end of the CAT-5, CAT-5e or CAT-6 cable into the DVI 1500 receiver unit.
5. Connect the other ends of all four multi-mode LC terminated fiber optic cables into the DVI 1500 receiver unit.

NOTE: Please take careful note of the labeling above each fiber optic port on both the sending and receiving DVI 1500 units. The most common user error is to mis-match the fiber optic cable connections on each end, which results in no video being transmitted.

6. Connect the display to the DVI 1500 receiver unit using a user supplied DVI cable.
7. Connect the included 5V DC power supplies into both the DVI 1500 sending and receiving units.
8. Power on the display, followed by the source.

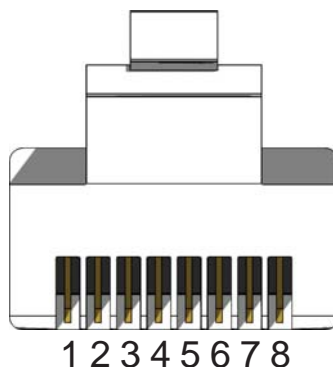
No further adjustments are necessary to operate the DVI 1500.

NETWORK CABLE WIRING DIAGRAM



Gefen has specifically engineered their products to work with the TIA/EIA-568-B specification. Please adhere to the table below when field terminating cable for use with Gefen products. Failure to do so may produce unexpected results and reduced performance.

| Pin | Color |
|-----|----------------|
| 1 | Orange / White |
| 2 | Orange |
| 3 | Green / White |
| 4 | Blue |
| 5 | Blue / White |
| 6 | Green |
| 7 | Brown / White |
| 8 | Brown |



CAT-5, CAT-5e, and CAT-6 cabling comes in stranded and solid core types. Gefen recommends using solid core cabling. CAT-6 cable is also recommended for best results.

Each cable run must be one continuous run from one end to the other. No splices or use of punch down blocks.

SPECIFICATIONS

| | |
|---------------------------------|------------------------------|
| Video Amplifier Bandwidth | 225 MHz maximum |
| Input Video Signal | 1.2 Volts p-p |
| Input DDC Signal | 5 Volts p-p (TTL) |
| Single Link Range | 1080p, 2k, 1920 x 1200 |
| DVI Connector | DVI-D (19 pin) female |
| Video Link Connector | LC |
| DDC Link Connector | RJ-45 Shielded |
| Power Supply | 5V DC with locking connector |
| Power Consumption | 36W watts x 2 (max) |
| Link Connectors | LC Fiber, Shielded RJ-45 |
| Rack mountable | 1U rack space |
| Dimensions | 3.25"D x 4.25"W x 1"H |
| Shipping Weight | 5 lbs. |
| Rack mountable | 1U rack space |