

Audio \ Video \ IR Baluns
Sold in Pairs

40-DA01

Balanced Signal Converter
Using UTP Cat5\Cat6 Cable
For Use With
Component \ Composite Video,
Digital \ Analog Audio,
Remote Control IR Signals

Calrad's 40-DA01 Flexible Balun system provides a low cost and versatile interface option for using inexpensive UTP Cat5e cabling. Specialized circuitry is used to deliver a mixture of Video, Audio, IR signals. Small plastic modules with RCA male plug to Screw type 2 conductor terminal blocks for easy wire termination. Passive bi-directional signal design.

Applications

1. Component Video, Digital Audio
2. Four Analog Audio Channels
3. Four CCTV Video Feeds
4. Composite Video, L+R Audio, Digital Audio
5. IR Signal distribution

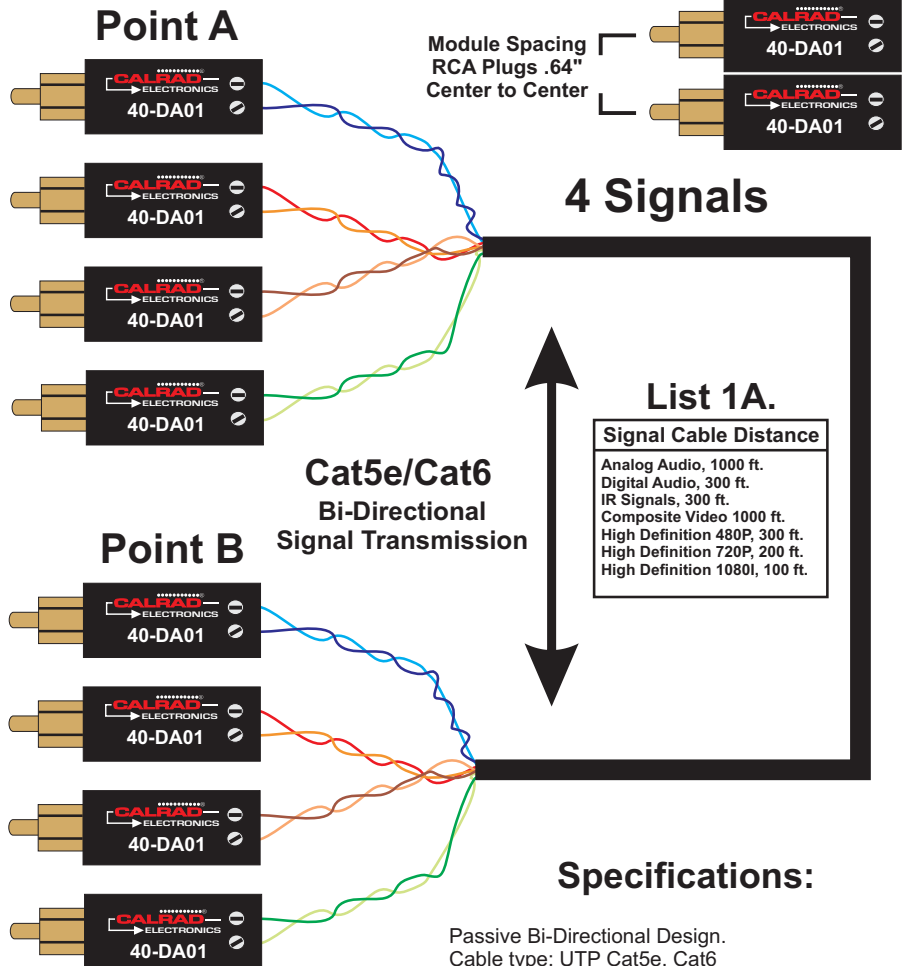


The above image shows Component video with digital audio in a single decora wall insert. Use Calrad wall plates for in-wall termination works with standard and keystone wall-plates.



40-DA01-IR (IR Interface Kit)

Provides easy interface between IR emitters and emitter blocks. 1- 3.5mm male plug to RCA female jack, 1 - 3.5mm Female -inline jack to RCA female jack.



Specifications:

Passive Bi-Directional Design.
Cable type: UTP Cat5e, Cat6
Cable Distance: See List 1A.
Bandwidth: DC to 50Mhz, DC passive
Connectors: RCA Male Plug
Signal Types: Audio \ Video \ IR Signals
Housing Material: Plastic, Color: Black
Dimensions: 1.32"(L) x .6"(W) x .6"(H)